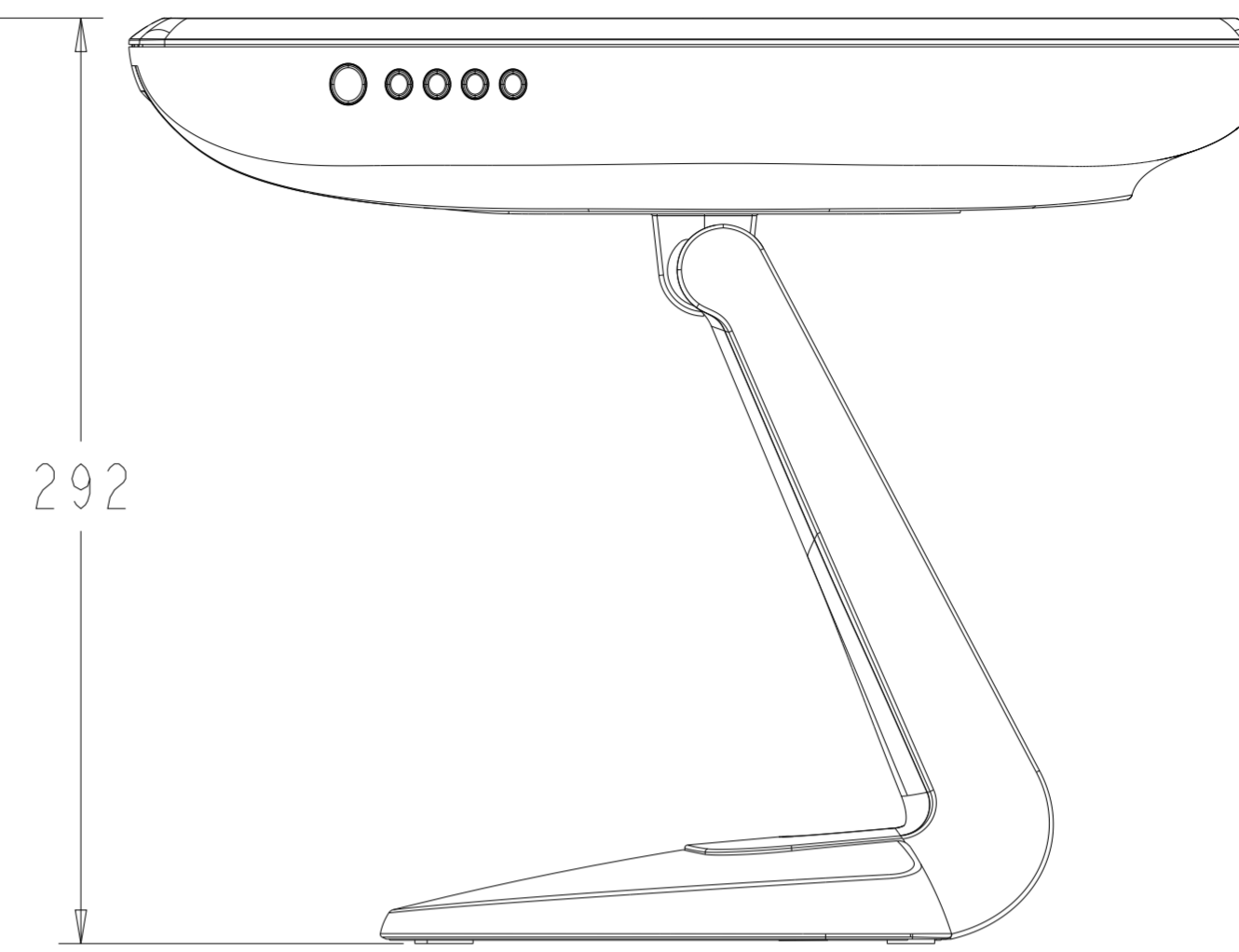
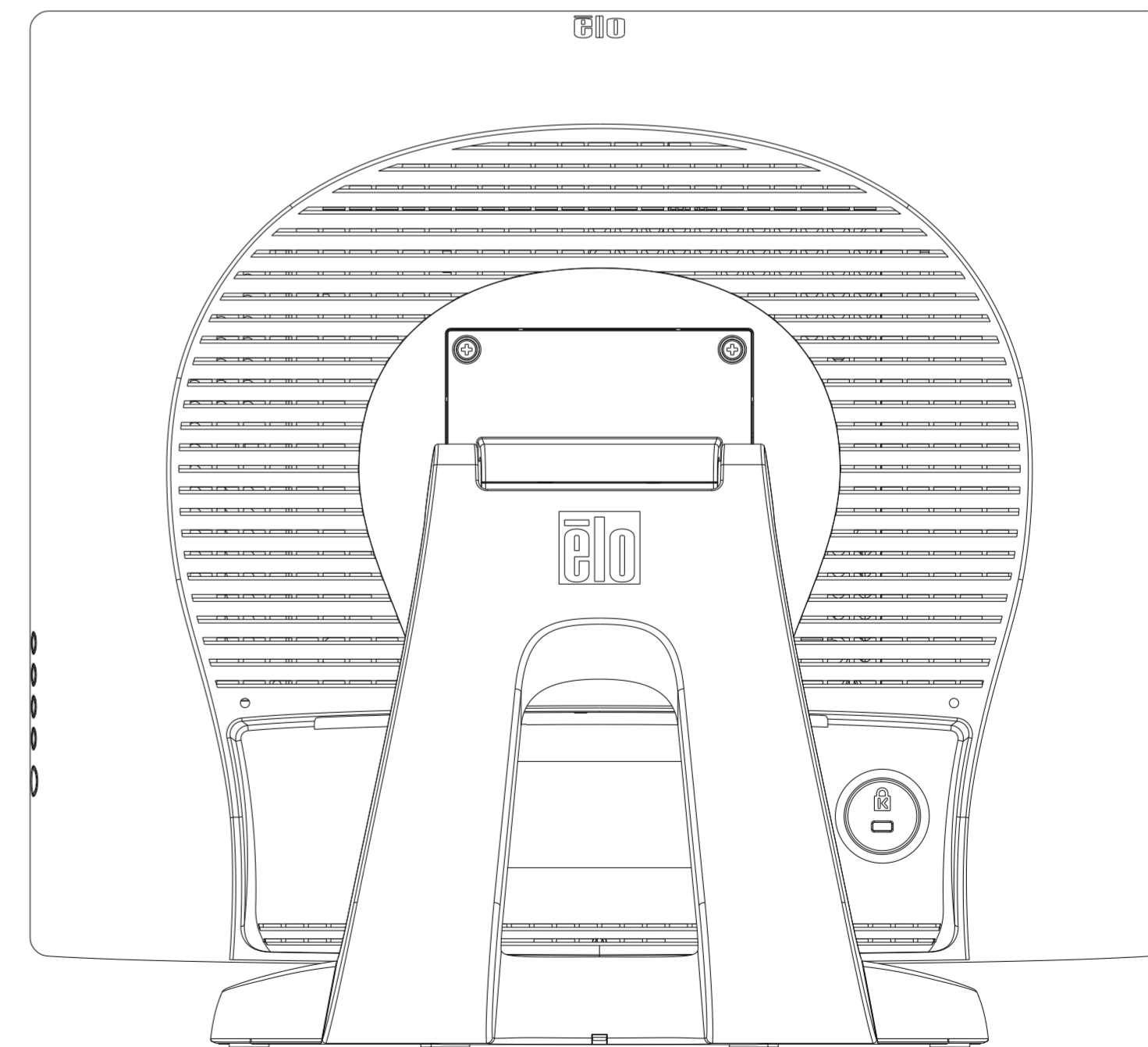
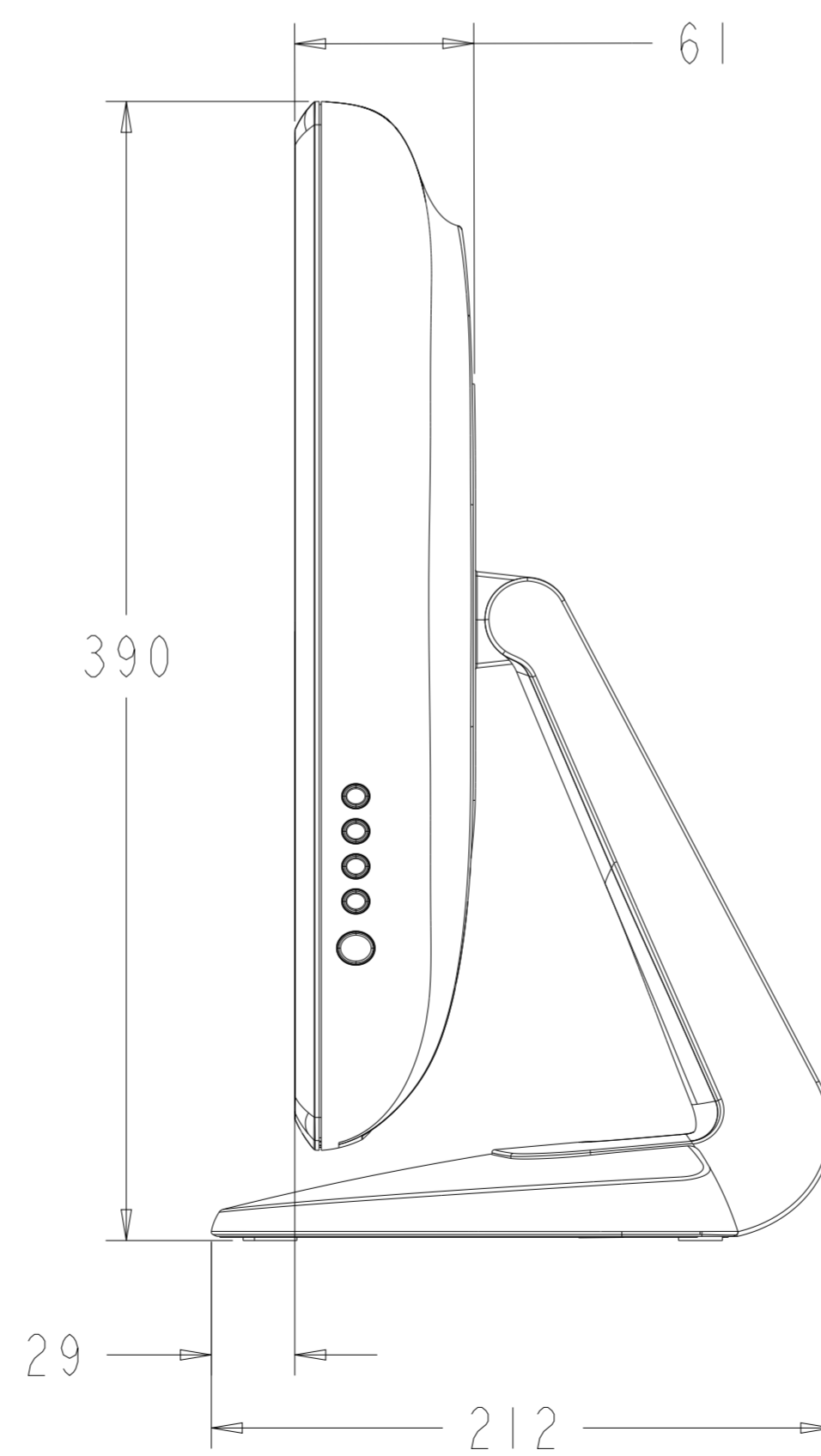
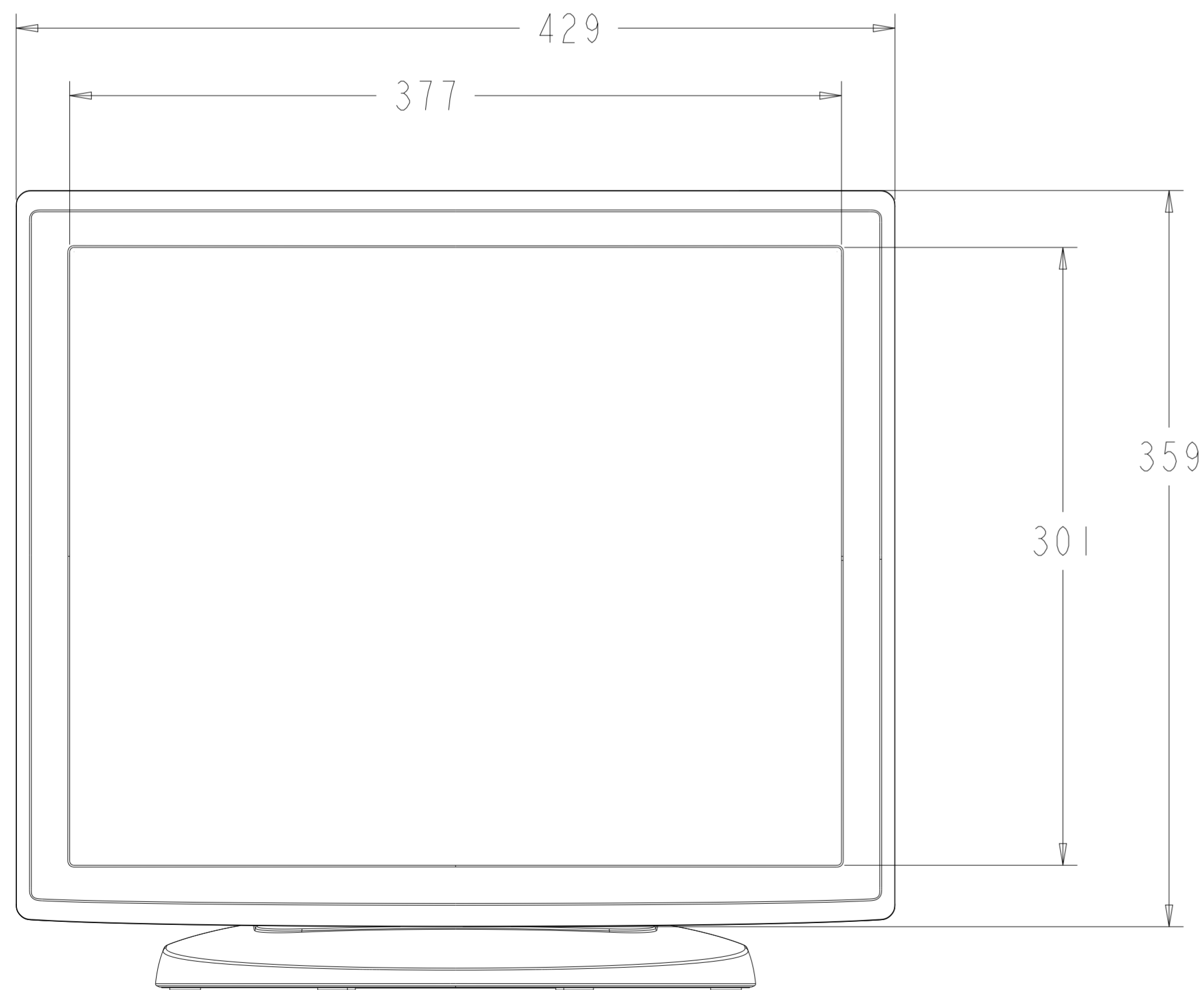
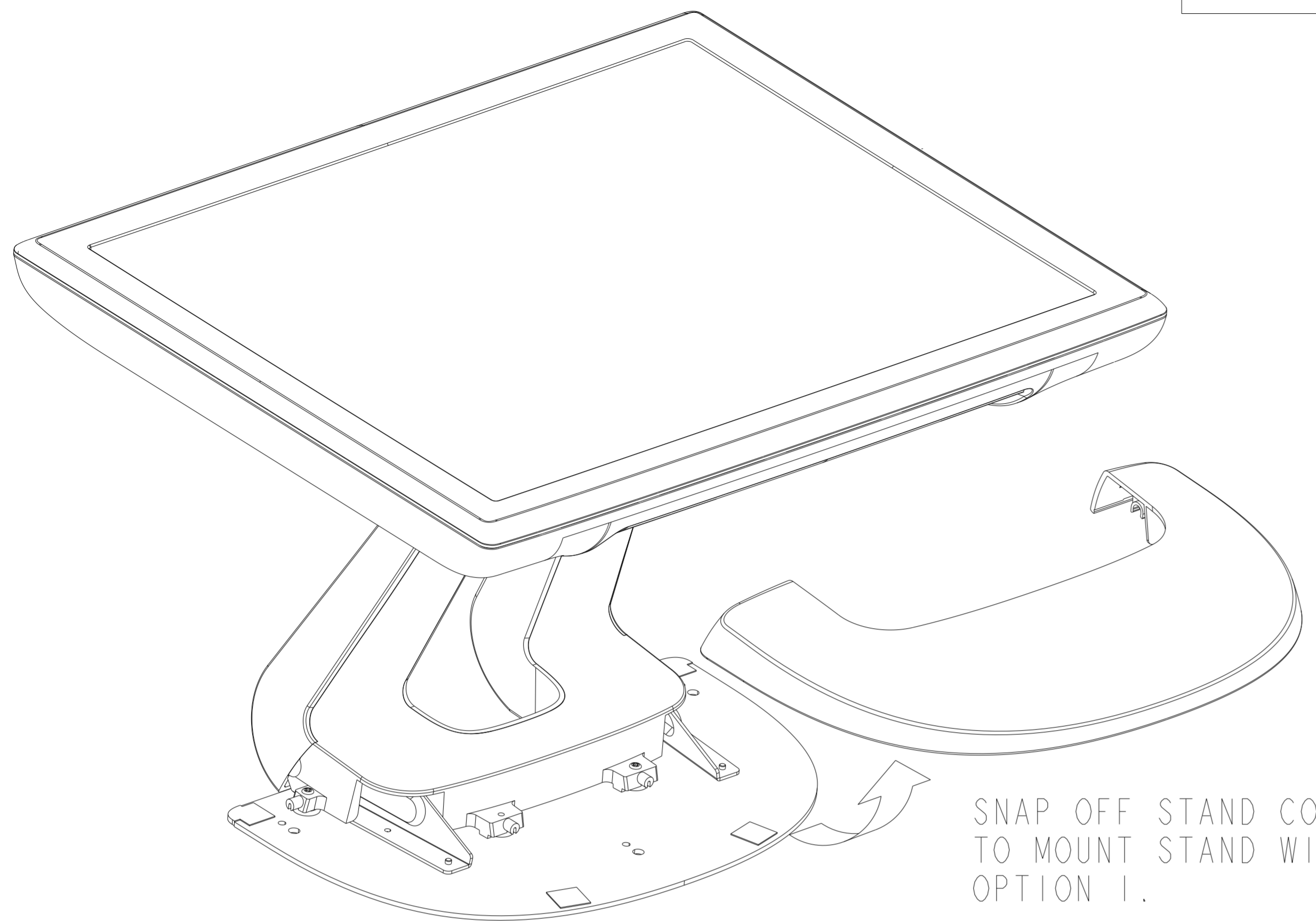


TILT -5° FROM VERTICAL



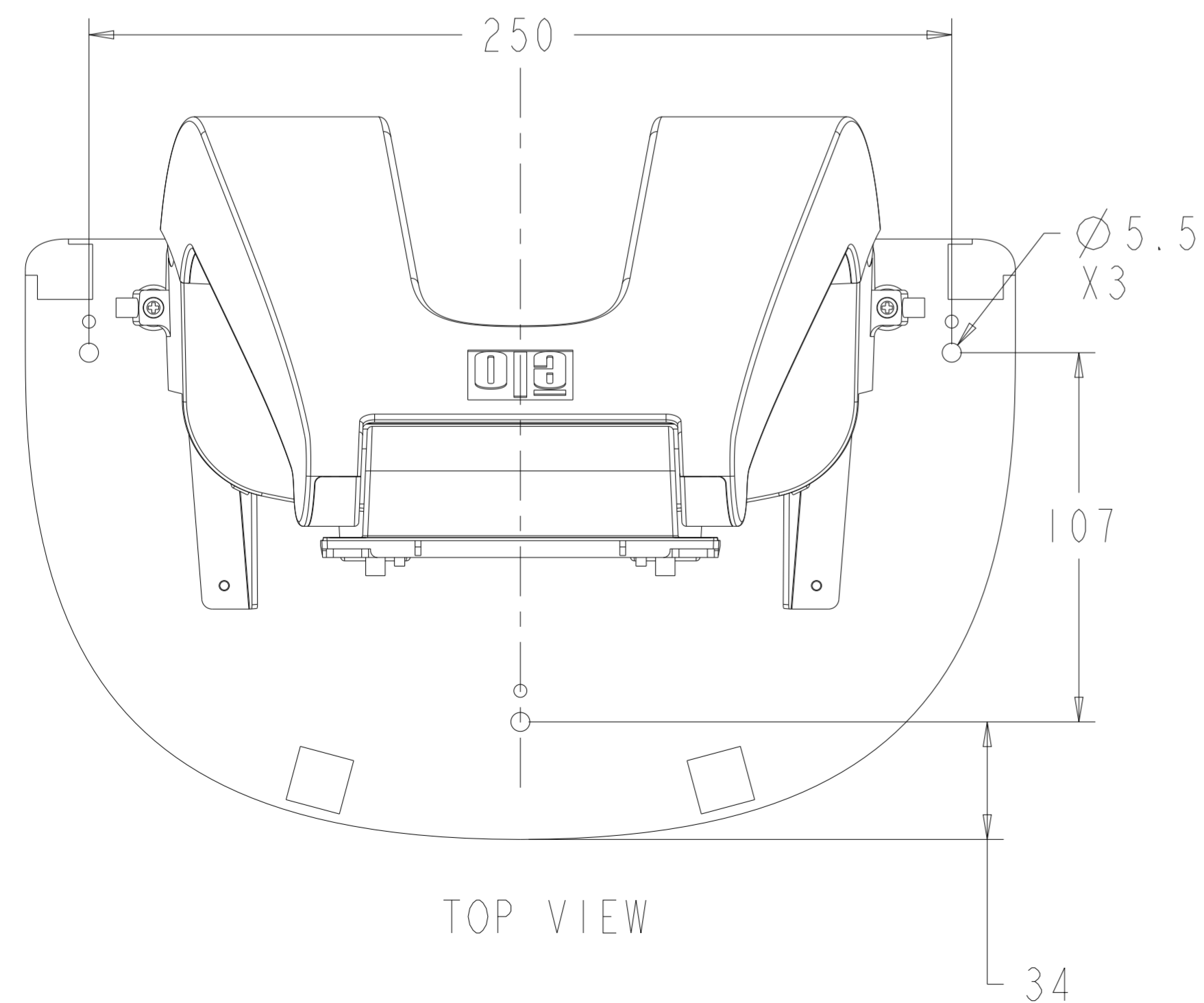
TILT 90° FROM VERTICAL





SNAP OFF STAND COVER
TO MOUNT STAND WITH
OPTION 1.

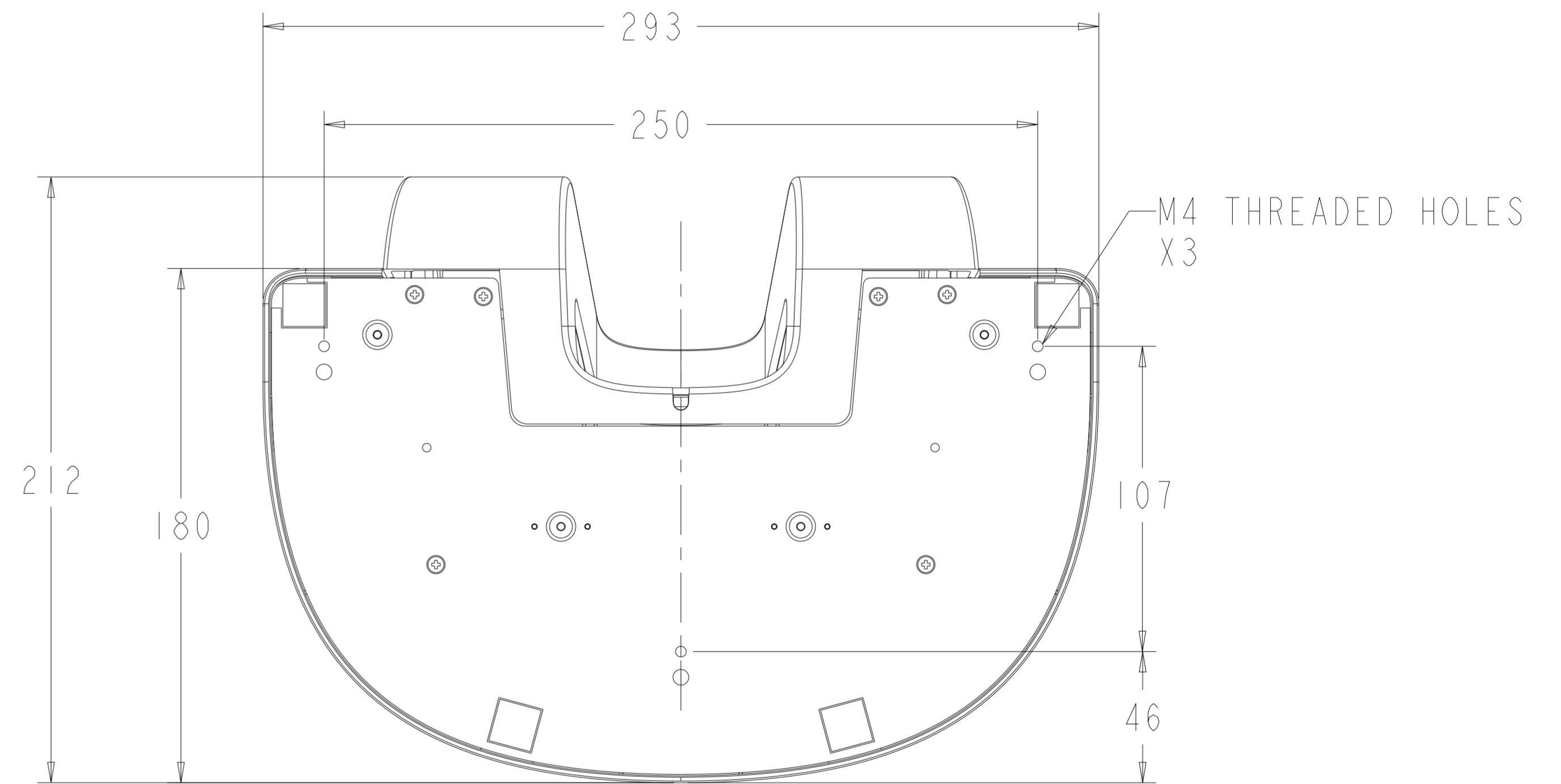
MOUNT OPTION 1



TOP VIEW

DIMENSIONS ARE IN MILLIMETERS

MOUNT OPTION 2

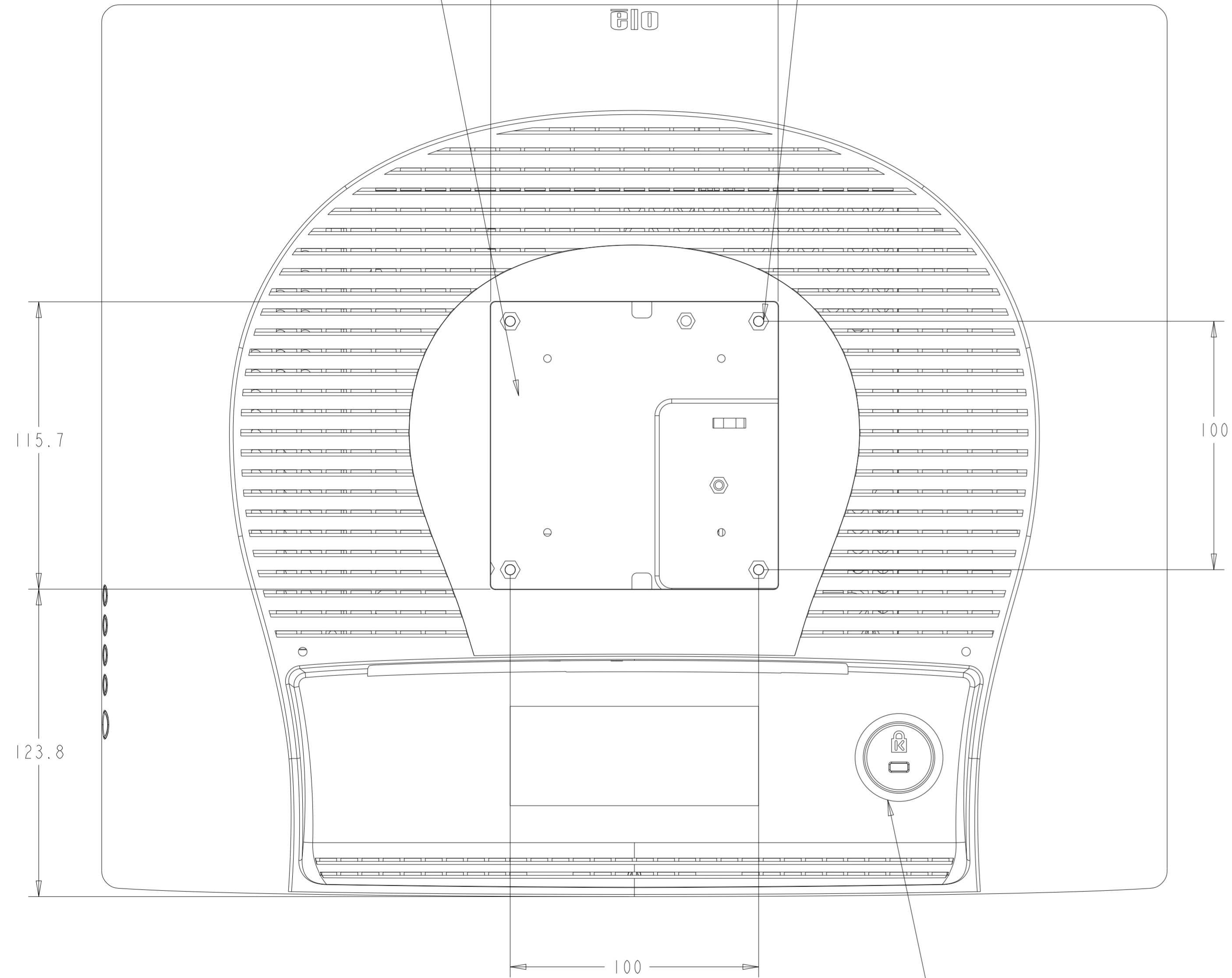


BOTTOM VIEW

VESA MOUNT

VESA MOUNTING SURFACE IS 5.6 MM BELOW PLASTIC

M4 THREAD, PHILIPS HEAD MOUNTING SCREWS 7mm DEEP FROM VESA SURFACE, X4



KENSINGTON LOCK RECEPTACLE (SUPPLIED BY OTHERS)

CONNECTOR PANEL

TOUCH-SCREEN CONNECTORS

